

Industrial Uninterruptible Power Supply (UPS)

specifications

The Uninterruptible Power Supply (UPS) shall be powered by 24VDC (nominal) input and provide 24VDC (nominal) output at 35 Watts (max.) for a duration of 5 minutes (min.). Ultracapacitors shall be employed for energy storage instead of rechargeable batteries, for maintenance-free operation. Remote device management shall be provided via Ethernet interface and multiple source, platform independent software. The UPS shall have the ability to monitor load current and predict Hold Time in single- or dual-power supply applications. The UPS shall monitor and report temperature to predict changes in capacity over its lifetime. The UPS shall offer DIN rail mounting and UL508 approval for integration into NEMA control panels or equipment cabinets.



technical information

Input power:	24.0 to 28.0 VDC
Output power:	35 Watts (1.6 Amps) max.
Control output:	1x Form A , 30VAC/VDC at 1 Amp max.
Operating temp:	-40°C to +60°C (-40°F to +140°F)
Standards:	c(ETL)us UL 1778 and CSA C22.2 No. 107.3-05 c(UL)us UL 508 and CSA-C22.2 No. 107.1-01 (R2011) cRUus UL 60950-1, CSA C22.2 No. 60950-1-07 IEC 60950-1 ISA 12.12.01, CSA C22.2 No. 213-1987M (R2013) for Use in Class I and II, Division 2 and Class III, Divisions 1 and 2 Hazardous (Classified) Locations FCC Title 47 CFR 15 Subpart B Emissions Class A CAN ICES-3(A)/NMB-3(A), ICES-003 Issue 5
Mounting:	EN 60715 NS35 DIN rail mount
RoHS compliant:	Yes
Environmental rating:	EN 60529 IP20
Event management:	Yes (event log)
Backup power:	Storage capacity: 15kW-sec (equivalent to 0.2 Amp-hours at 22VDC) Hold Time: 6.25 minutes, min. at 35W load Hold Time prediction: Yes Lifetime prediction: Yes
Communications interface:	Ethernet (RJ45)
Network interface:	EtherNet/IP CONFORMANCE TESTED**
User interface:	HTML browser

key features and benefits

Ultracapacitor energy storage technology	<ul style="list-style-type: none"> No Battery design eliminates the #1 cause of UPS failures Maintenance-free for lower cost of ownership eliminating battery inspections, testing, replacement, disposal, and spare parts management No HazMat waste battery disposal costs Eliminates hydrogen gas buildup inside the enclosure
Remote load and capacity monitoring	<ul style="list-style-type: none"> Remotely monitor device health from the floor or your office Ability to view multiple devices; saves time of having to physically connect a laptop to individual devices to perform health checks
Remote device management	<ul style="list-style-type: none"> EtherNet/IP***connectivity to multiple devices with virtually no distance limitations; easily integrates with factory automation software User interface through standard web browsers requires no proprietary software and is platform-independent
Improved integration	<ul style="list-style-type: none"> 80mm DIN Rail width saves valuable panel space; single unit design installs quickly and easily Wide operating temperature range: -40°C to +60°C is standard

**EtherNet/IP CONFORMANCE TESTED is a certification mark of ODVA.

*** EtherNet/IP is a trademark of ODVA.

Industrial UPS	
UPS	UPS003024024015
Load Sense Module (Optional Accessory)	
LSM	UPS003LSM
IndustrialNet™ Ethernet Enclosures	
Pre-configured large (3-Din rail) zone enclosure:	
	IAZ2436C
Pre-configured medium (2-Din rail) zone enclosure:	
	IAZ2424C
Integrated Network Zone Systems	
Integrated Zone System, 24x24" (various configurations):	
	Z22N-xxxxx*
Zone System, 24x36" (various configurations):	
	Z23N-xxxxx*

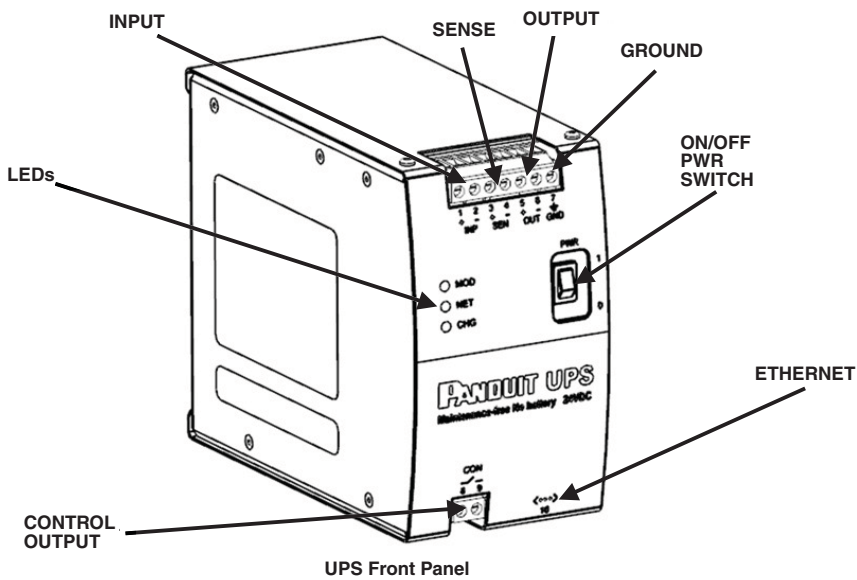
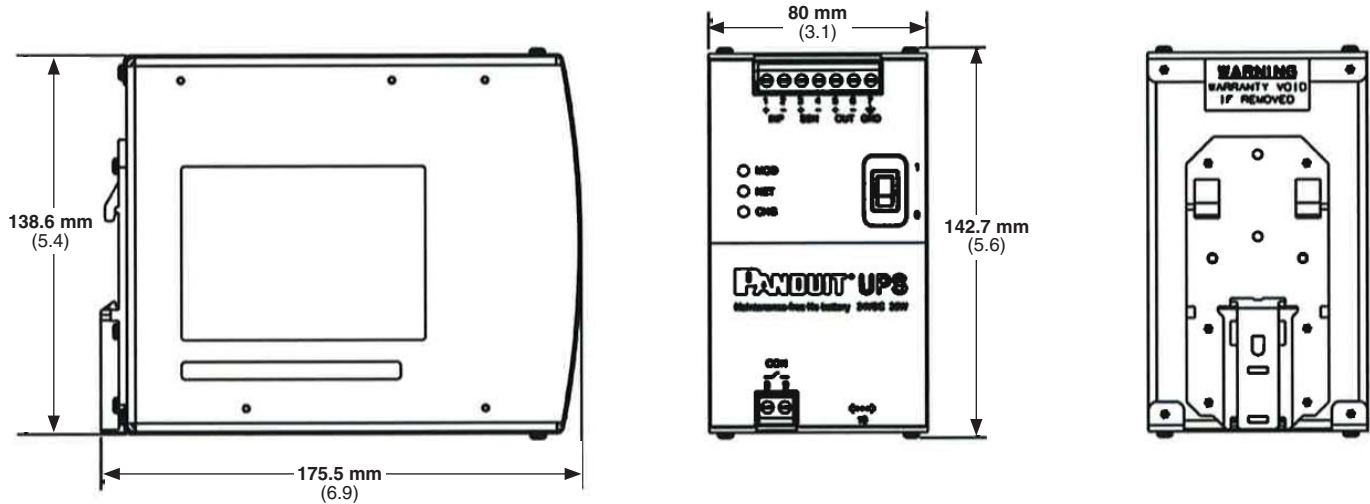
*Available in a variety of configurations.

Industrial Uninterruptible Power Supply (UPS)

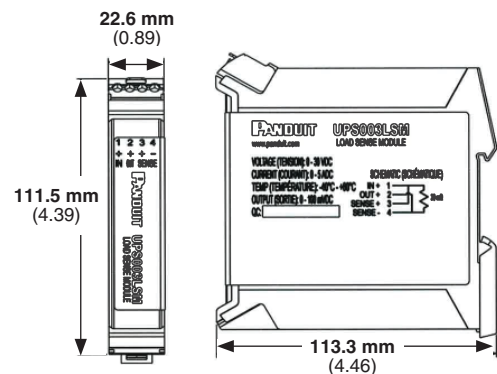
applications

The Panduit Industrial UPS is intended to provide uninterrupted power for critical applications including managed network switches, micro PLCs, and HMIs deployed on the factory floor. The device is suitable for use in extremely low temperature environments and elevated temperatures without loss of performance or reduced life.

UPS



Load Sense Module (Optional Accessory)



Dimensions are metric. (Dimensions in parentheses are inches.)

WORLDWIDE SUBSIDIARIES AND SALES OFFICES

PANDUIT CANADA
Markham, Ontario
cs-cdn@panduit.com
Phone: 800.777.3300

PANDUIT EUROPE LTD.
London, UK
cs-emea@panduit.com
Phone: 44.20.8601.7200

PANDUIT SINGAPORE PTE. LTD.
Republic of Singapore
cs-ap@panduit.com
Phone: 65.6305.7575

PANDUIT JAPAN
Tokyo, Japan
cs-japan@panduit.com
Phone: 81.3.6863.6000

PANDUIT LATIN AMERICA
Guadalajara, Mexico
cs-la@panduit.com
Phone: 52.33.3777.6000

PANDUIT AUSTRALIA PTY. LTD.
Victoria, Australia
cs-aus@panduit.com
Phone: 61.3.9794.9020

For a copy of Panduit product warranties, log on to www.panduit.com/warranty

For more information

Visit us at www.panduit.com

Contact Customer Service by email: cs@panduit.com
or by phone: 800.777.3300

PANDUIT

© 2014 Panduit Corp.
ALL RIGHTS RESERVED.
PUSP12--WW-ENG
4/2014